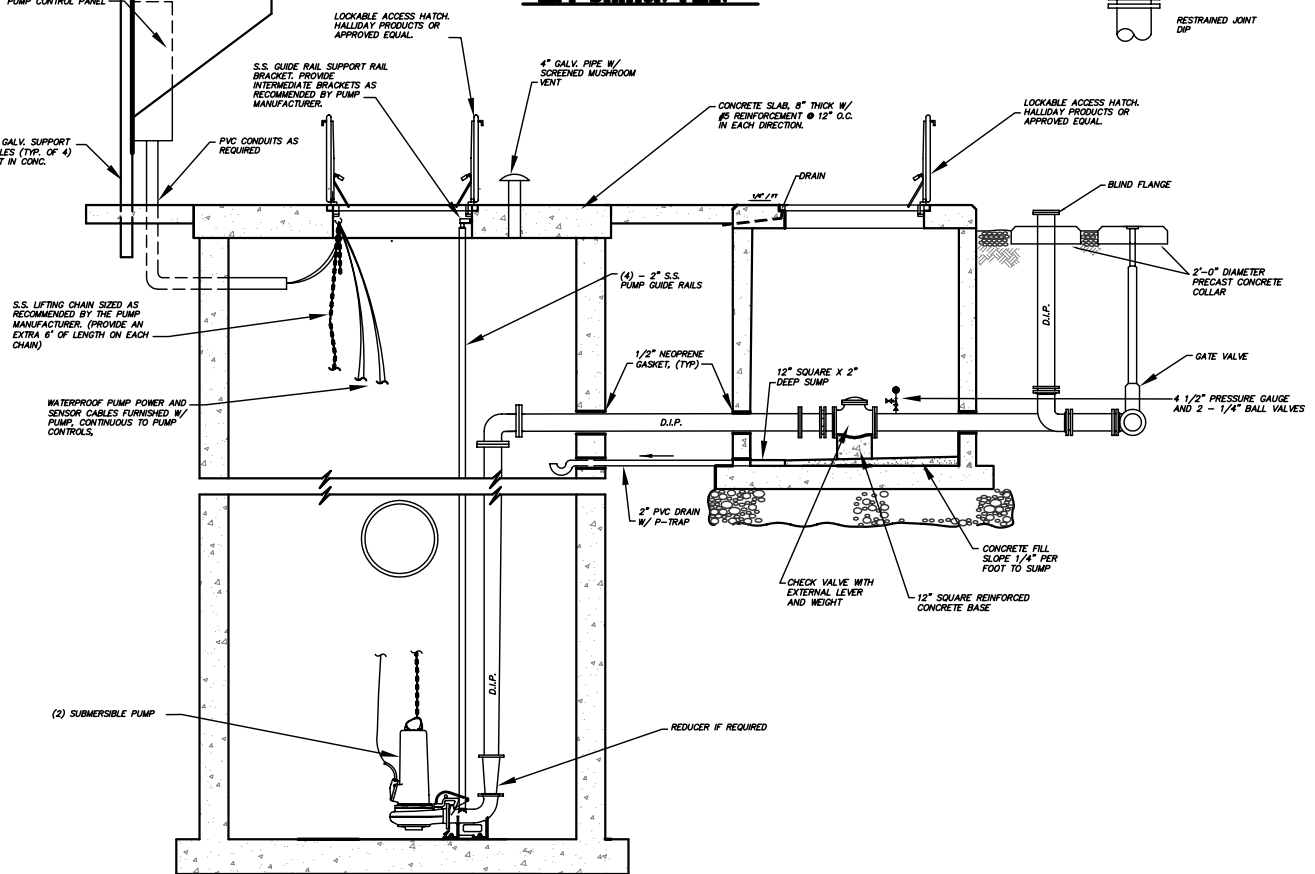
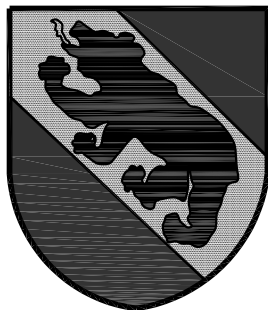


LIFT STATION PLAN



LIFT STATION PROFILE - SECTION-A

TYPICAL DUPLEX SUBMERSIBLE LIFT STATION
 NOT TO SCALE



City of New Bern

ENGINEERING DEPARTMENT, PO Box 1129
 NEW BERN NC 25263-1129
 252.639.7526 (FAX) 252.672.5152
 www.newbern-nc.org