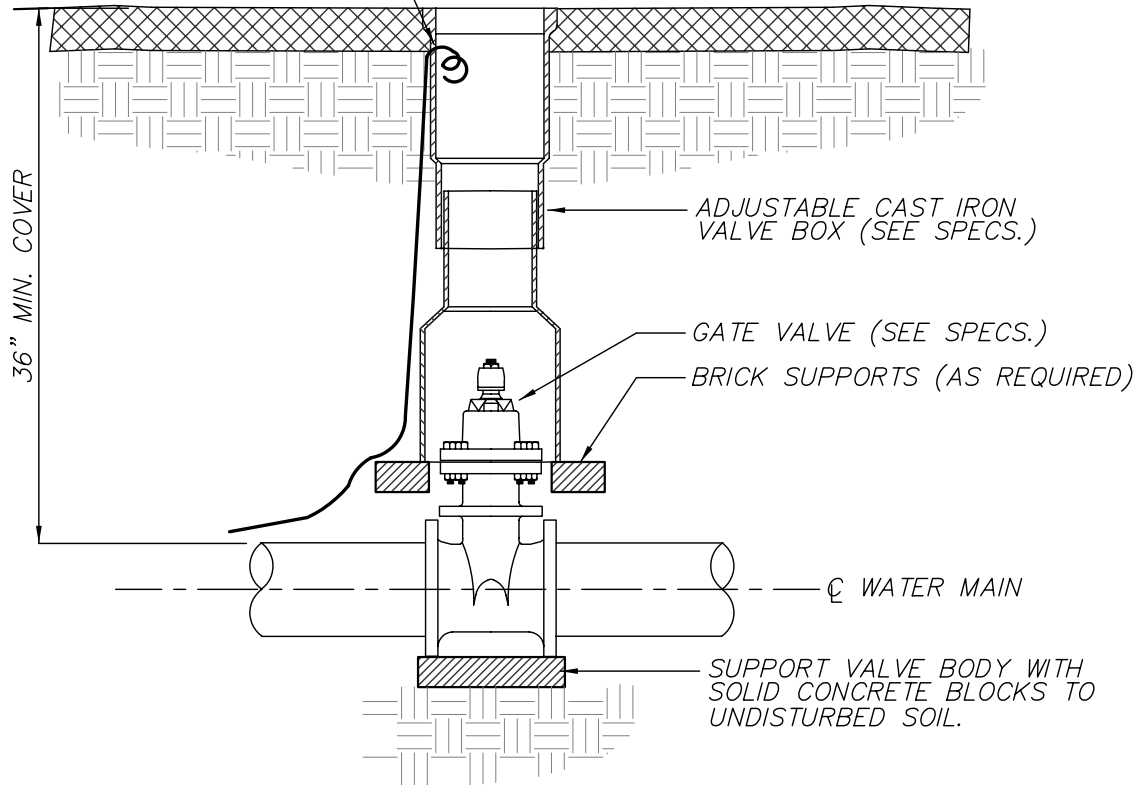


BRING TRACER WIRE INTO AND OUT OF METER BOX THROUGH 1/2" HOLE.

NOTE:

PROVIDE PRECAST CONCRETE COLLAR FOR VALVES IN UNPAVED AREAS



TYPICAL VALVE AND VALVE BOX

NOT TO SCALE



City of New Bern

ENGINEERING DEPARTMENT, PO Box 1129

NEW BERN NC 25263-1129

252.639.7526 (FAX) 252.672.5152

www.newbern-nc.org