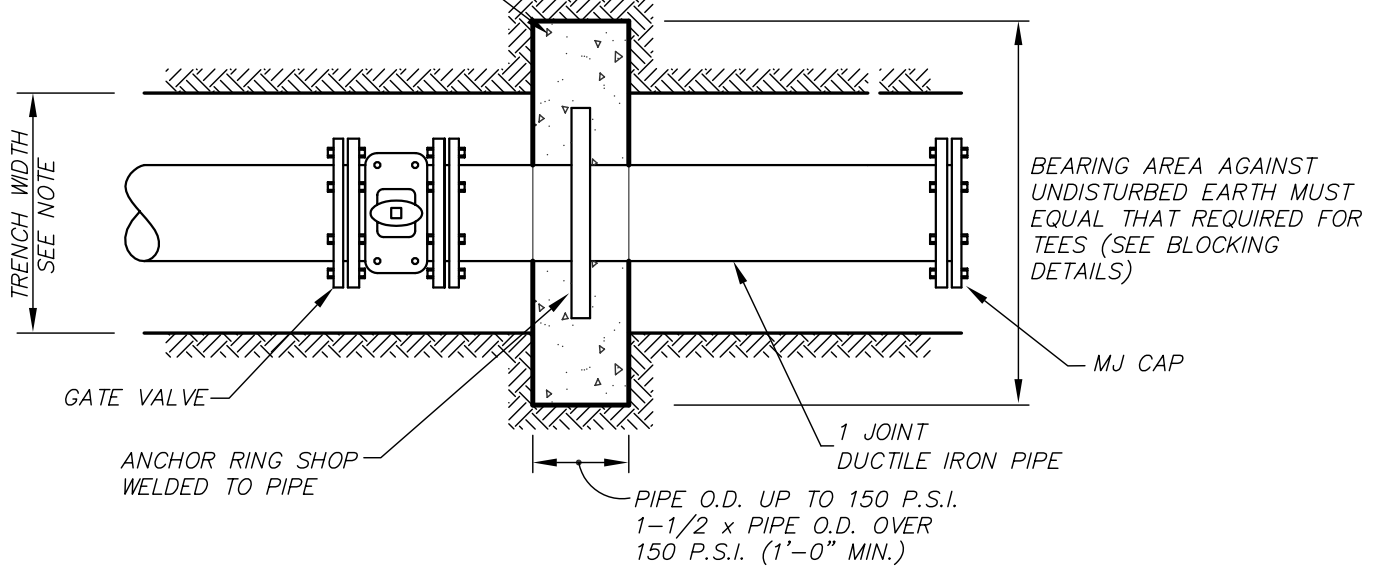


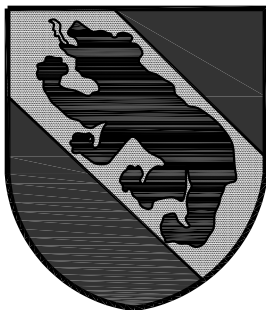
2500 P.S.I. CONCRETE ENCASEMENT ALL AROUND FOR REACTION BACKING



ANCHOR RING DIMENSIONS		
NOMINAL PIPE SIZE	O.D. OF RINGS	THICKNESS
4" - 12"	PIPE O.D. + 6"	1/2"
16" - 24"	PIPE O.D. + 7"	3/4"

THRUST COLLAR DETAIL

NOT TO SCALE



City of New Bern

ENGINEERING DEPARTMENT, PO Box 1129
 NEW BERN NC 25263-1129
 252.639.7526 (FAX) 252.672.5152
www.newbern-nc.org