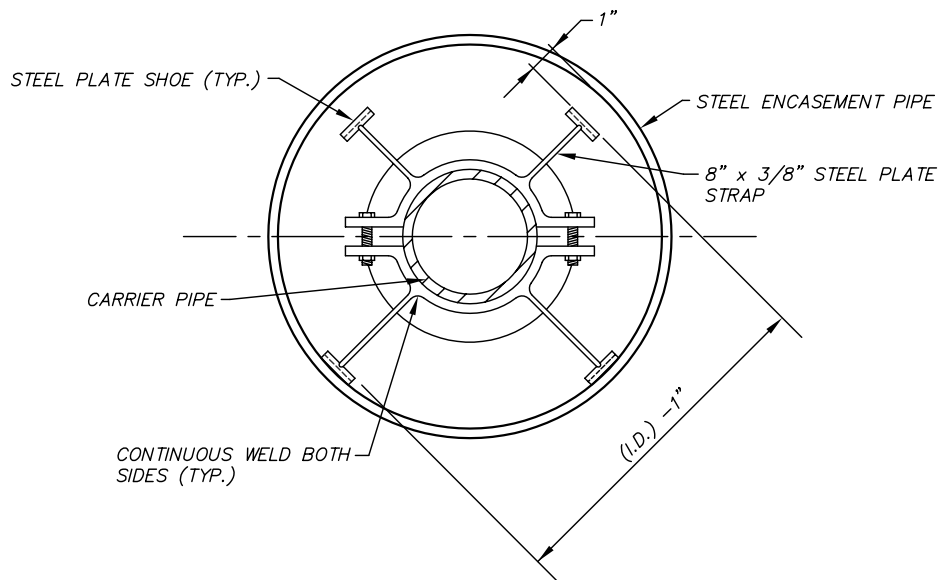


**CASING SECTION**

**NOTE**

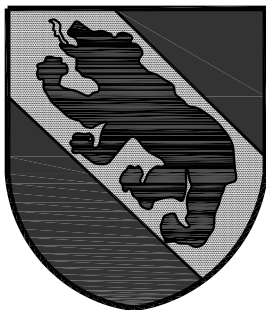
- ENTIRE SPIDER ASSEMBLY TO BE BITUMINOUS COATED AFTER FABRICATION
- FIELD MODIFY AS REQUIRED TO PROVIDE DESIGN SLOPE IN CARRIER PIPE
- STEEL ENCASEMENT TO BE INSTALLED IN ACCORDANCE WITH DESIGN PLANS,  
ALL REVISIONS OR MODIFICATIONS ARE SUBJECT TO APPROVAL.



**END ELEVATION**

**PIPE ENCASEMENT DETAIL**

NOT TO SCALE



**City of New Bern**

ENGINEERING DEPARTMENT, PO Box 1129  
NEW BERN NC 25263-1129  
252.639.7526 (FAX) 252.672.5152  
[www.newbern-nc.org](http://www.newbern-nc.org)